

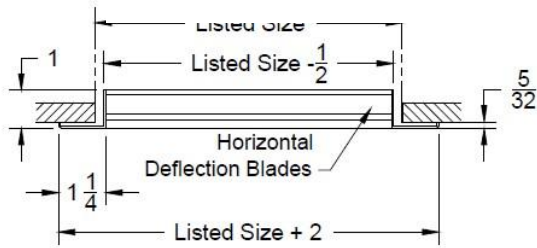
MODEL SDVS/SDHS

SINGLE DEFLECTION GRILLE – VERTICAL / HORIZONTAL BLADES

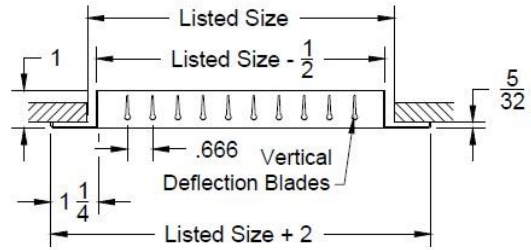
MODEL SDVS – SINGLE DEFLECTION GRILLE – VERTICAL (V) / HORIZONTAL (H) FRONT BLADES

1. STEEL CONSTRUCTION
2. SURFACE MOUNT
3. SDVS = VERTICAL FRONT BLADES
4. SDHS = HORIZONTAL FRONT BLADES
5. NECK SIZES: 6"x4" THROUGH 48"x48"
6. ADD **OBD** TO PART STRING FOR OPPOSED BLADE DAMPER
7. FINISH: STANDARD WHITE FINISH

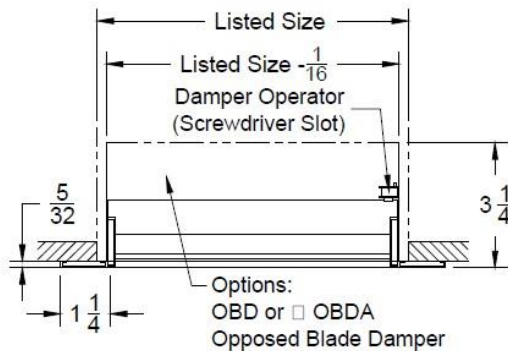
With Horizontal Blades



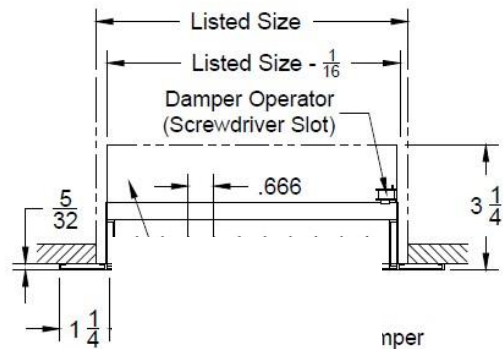
With Vertical Blades




**With Opposed Blade Damper
With Horizontal Blades**



**With Opposed Blade Damper
With Vertical Opposed Blade Damper**



Submittal No. SDV/SDHS	Revision: A	Date: 11/22/2013	Submitted by:	Date submitted:
			Project Name:	Location: