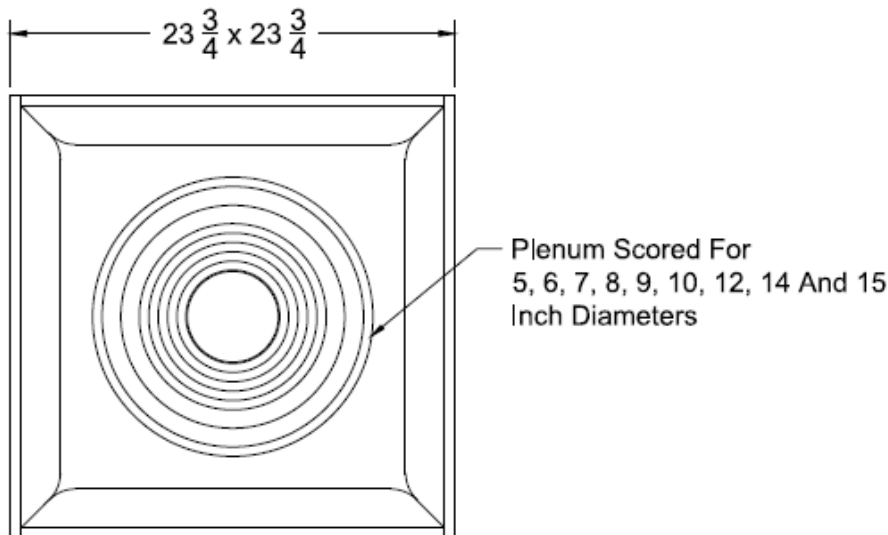
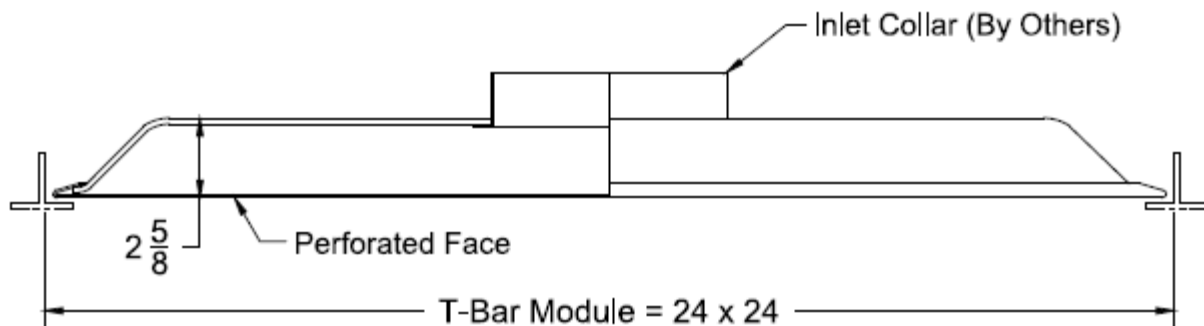



MODEL EPR-LI-MFB

T BAR PERFORATED RETURN DIFFUSER – MOLDED FIBERGLASS BACK

MODEL EPR-LI-MFB – T-BAR PERFORATED RETURN DIFFUSER – MOLDED FIBERGLASS BACK

1. STEEL EXPANDED METAL FACE PANEL CONSTRUCTION WITH R6 MOLDED FIBERGLASS BACK PANEL
2. LAY-IN
3. MOLDED FIBERGLASS BACK PANEL IS PRE-SCORED TO ACCEPT TABBED OR SPIN-IN COLLARS BY OTHERS
4. FINISH: WHITE FACE PANEL WITH BLACK FIBERGLASS INTERIOR



Submittal No. EPR-LI-MFB	Revision: A	Date: 11/22/2013	Submitted by:	Date submitted:
			Project Name:	Location: