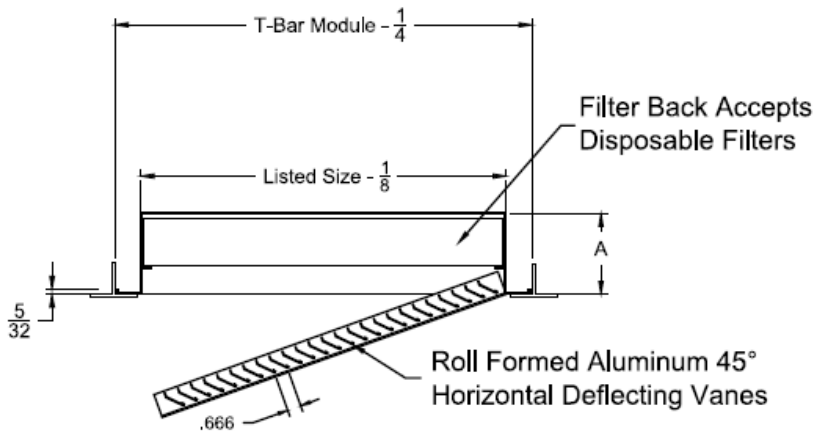


MODEL ABRF-LI

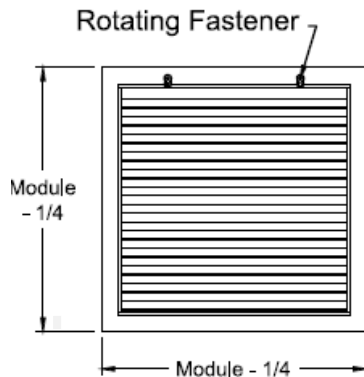
BAR TYPE ALUMINUM RETURN AIR FILTER GRILLE - T BAR

MODEL ABRF-LI – BAR TYPE ALUMINUM RETURN AIR FILTER GRILLE - T-BAR

1. ALUMINUM CONSTRUCTION
2. LAY-IN
3. ACCEPTS 1" DISPOSABLE FILTERS (ALSO AVAILABLE WITH AN OPTIONAL 2" FILTER BOX – ADD 2"FF TO PART STRING)
4. NECK SIZES FOR 24X24 MODULE: 6"x4" THROUGH 22"x22"
5. NECK SIZES FOR 12X12 MODULE: 6"x4" THROUGH 10"x10"
6. NECK SIZES FOR 24X12 MODULE: 6"x4" THROUGH 22"x10"
7. NECK SIZES FOR 48X24 MODULE: 6"x4" THROUGH 46"x22"
8. ADD **OBD** TO PART STRING FOR OPPOSED BLADE DAMPER
9. ADD **TBPF** TO PART STRING FOR T-BAR PLASTER FRAME
10. ADD **TR** TO PART STRING FOR SQUARE TO ROUND TRANSITION (FOR UNITS WITH NO DAMPER)
11. ADD **TRD** TO PART STRING FOR SQUARE TO ROUND TRANSITION (FOR UNITS WITH OPPOSED BLADE DAMPER)
12. ADD **MFB** TO PART STRING FOR MOLDED FIBERGLASS BACK PANEL (AVAILABLE ONLY ON THE 24X24 MODULE, AND ON NECK SIZES OF 20"x20" AND LESS)
13. FINISH: WHITE STANDARD, OPTIONAL (ADDITIONAL CHARGE): BLACK AND SILVER



Disposable Filter Thickness	Dimension A
1"	2-7/16
2"	3-7/16



Submittal No. ABRF-LI	Revision: A	Date: 11/22/2013	Submitted by:	Date submitted:
			Project Name:	Location: