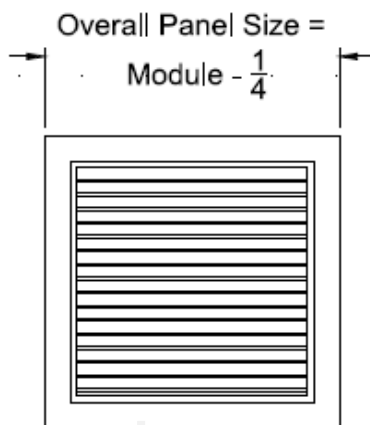
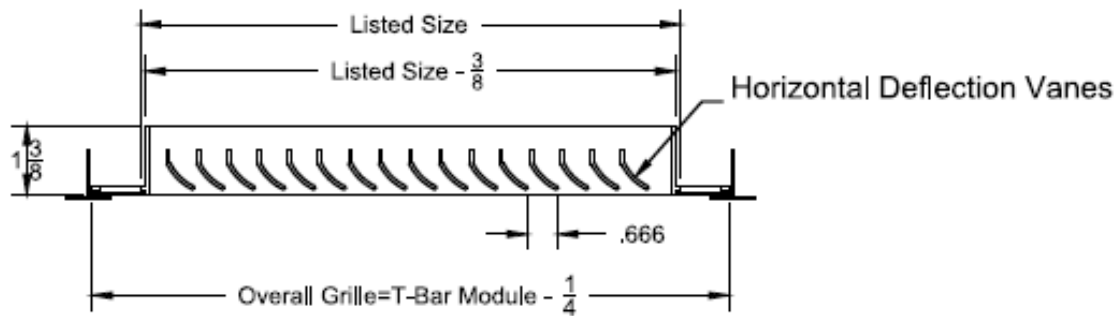



MODEL ABR-LI

BAR TYPE ALUMINUM RETURN GRILLE - T BAR

MODEL ABR-LI – BAR TYPE ALUMINUM RETURN GRILLE - T-BAR

1. ALUMINUM CONSTRUCTION
2. LAY-IN
3. NECK SIZES FOR 24X24 MODULE: 6"x4" THROUGH 22"x22"
4. NECK SIZES FOR 12X12 MODULE: 6"x4" THROUGH 10"x10"
5. NECK SIZES FOR 24X12 MODULE: 6"x4" THROUGH 22"x10"
6. NECK SIZES FOR 48X24 MODULE: 6"x4" THROUGH 46"x22"
7. ADD **OBD** TO PART STRING FOR OPPOSED BLADE DAMPER
8. ADD **TBPF** TO PART STRING FOR T-BAR PLASTER FRAME
9. ADD **TR** TO PART STRING FOR SQUARE TO ROUND TRANSITION (FOR UNITS WITH NO DAMPER)
10. ADD **TRD** TO PART STRING FOR SQUARE TO ROUND TRANSITION (FOR UNITS WITH OPPOSED BLADE DAMPER)
11. ADD **MFB** TO PART STRING FOR MOLDED FIBERGLASS BACK PANEL (AVAILABLE ONLY ON THE 24X24 MODULE, AND ON NECK SIZES OF 20"x20" AND LESS)
12. FINISH: WHITE STANDARD, OPTIONAL (ADDITIONAL CHARGE): BLACK AND SILVER



Submittal No. ABR-LI	Revision: A	Date: 11/22/2013	Submitted by:	Date submitted:
			Project Name:	Location: