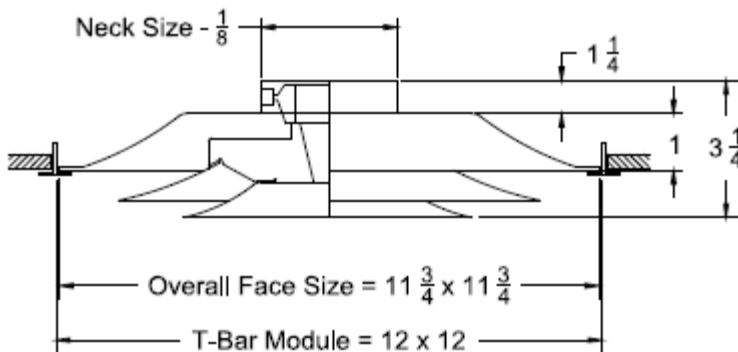
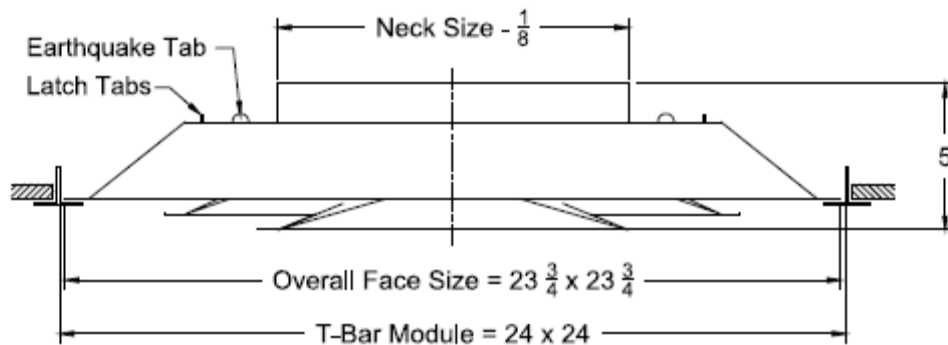



MODEL 2HV-LI-AL

T BAR HIGH VOLUME DIFFUSER – 2 CONE

MODEL 2HV-LI-AL – T-BAR HIGH VOLUME DIFFUSER – 2 CONE

1. ALUMINUM CONSTRUCTION
2. LAY-IN
3. NECK SIZES: 6", 8", 10", 12" 14", 15"
4. ADD **BD** TO PART STRING FOR BUTTERFLY DAMPER, OR **RD** FOR RADIAL DAMPER (DAMPERS SHIP SEPARATELY)
5. AVAILABLE WITH R6 MOLDED FIBERGLASS BACK – ADD **MFB** TO PART STRING
6. FINISH: WHITE STANDARD, OPTIONAL (ADDITIONAL CHARGE): BLACK AND SILVER



| | | | | |
|-------------------------------------------------------------------------------------|-------------|------------------|---------------|-----------------|
| Submittal No. 2HV-LI-AL | Revision: A | Date: 11/22/2013 | Submitted by: | Date submitted: |
|  | | | Project Name: | Location: |
| | | | | |