

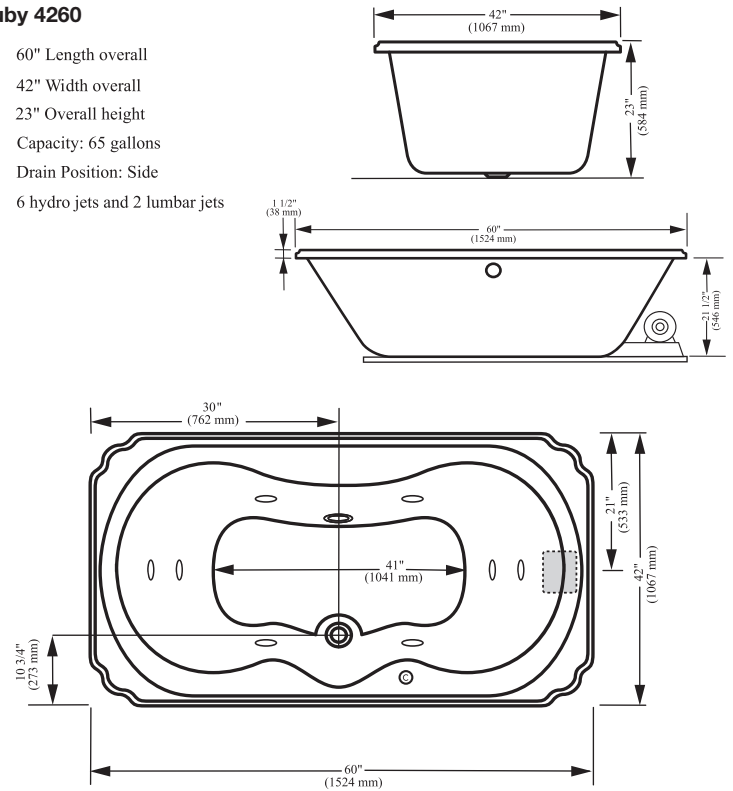
**ruby**  
SERIES



**ruby drop-in specifications**

**ruby 4260**

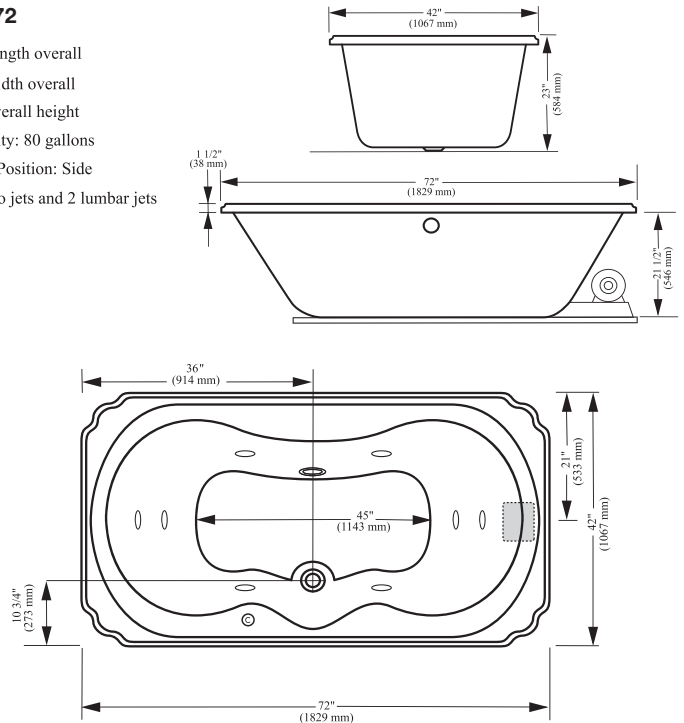
60" Length overall  
42" Width overall  
23" Overall height  
Capacity: 65 gallons  
Drain Position: Side  
6 hydro jets and 2 lumbar jets



○ Suction Location    ⊙ Control Location    ▭ Pump Location

**ruby 4272**

72" Length overall  
42" Width overall  
23" Overall height  
Capacity: 80 gallons  
Drain Position: Side  
6 hydro jets and 2 lumbar jets



GLT4260HLWH	42X60 DI SOAKER WH
GLW4260HLCMHWH	42X60 W/P 8 JET WH
GLA4260HLWH	42X60 AIR TUB WH
GLT4260HLBS	42X60 DI SOAKER BS
GLW4260HLCMHBS	42X60 W/P 8 JET BS
GLA4260HLBS	42X60 AIR TUB BS

GLT4272HLWH	42X72 DI SOAKER WH
GLW4272HLCMHWH	42X72 W/P 8 JET WH
GLA4272HLWH	42X72 AIR TUB WH
GLT4272HLBS	42X72 DI SOAKER BS
GLW4272HLCMHBS	42X72 W/P 8 JET BS
GLA4272HLBS	42X72 AIR TUB BS

