

Stainless Steel Sinks

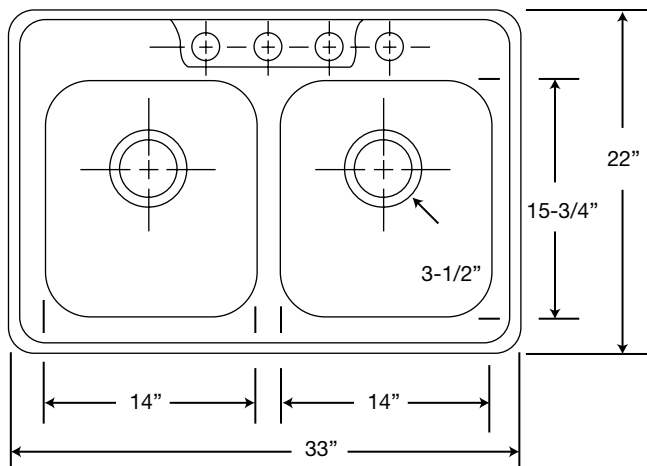
GLADA332253
GLADA332254

33x22x5-3/8 ADA DBL BOWL SINK DI 22GA 3HL SS
33x22x5-3/8 ADA DBL BOWL SINK DI 22GA 4HL SS

SINK DIMENSIONS (INCHES)*

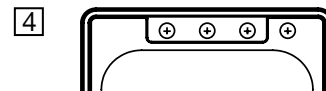
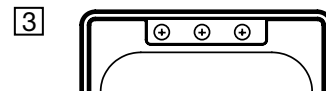
Dimensions	Overall		Inside Bowl			Cutout in Countertop (1-1/2" (38mm) Radius Corners)		Number of Faucet Openings	Ship Wt. Lbs.
	L	W	L	W	D	L	W		
33x22x5-3/8	33 (838mm)	22 (559mm)	14 (356mm)	15-3/4 (400mm)	5-3/8 (137mm)	32-3/8 (822mm)	21-3/8 (543mm)	3 or 4	12-1/2

*Length is left to right. Width is front to back.



Hole Drilling Configurations

1-1/2" (38mm) Diameter Faucet Holes on 4" (102mm) Centers



gemline

