

# Stainless Steel Sinks

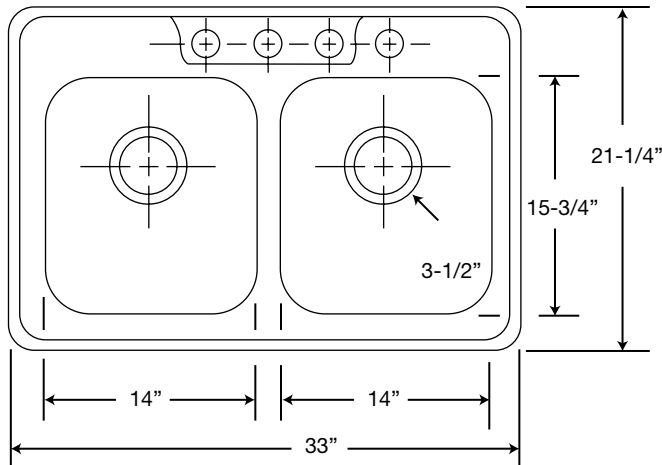
**GLADA332153**  
**GLADA332154**

33x21-1/4x5-3/8 ADA DBL BOWL SINK DI 22GA 3HL SS  
33x21-1/4x5-3/8 ADA DBL BOWL SINK DI 22GA 4HL SS

## SINK DIMENSIONS (INCHES)\*

Dimensions	Overall		Inside Bowl			Cutout in Countertop (1-1/2" (38mm) Radius Corners)		Number of Faucet Openings	Ship Wt. Lbs.
	L	W	L	W	D	L	W		
33x21-1/4x5-3/8	33 (838mm)	21-1/4 (559mm)	14 (356mm)	15-3/4 (400mm)	5-3/8 (137mm)	32-3/8 (822mm)	20-5/8 (543mm)	3 or 4	12-1/2

\*Length is left to right. Width is front to back.



### Hole Drilling Configurations

1-1/2" (38mm) Diameter Faucet Holes on 4" (102mm) Centers

