

Stainless Steel Sinks

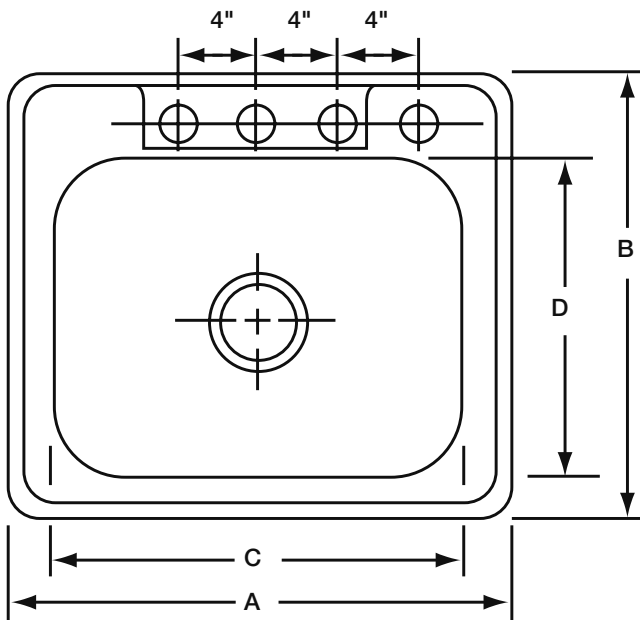
GL252283
GL252284

25X22X8 SGL BOWL SINK DI 20GA 3HL SS
25X22X8 SGL BOWL SINK DI 20GA 4HL SS

SINK DIMENSIONS (INCHES)*

Dimensions	Overall		Inside Bowl			Cutout in Countertop (1-1/2" (38mm) Radius Corners)	No. of 1-1/2" (38mm) Dia. Faucet Holes 4"(102mm) Center	Minimum Cabinet Size	
	L	W	L	W	D				L
25x22	A	B	C	D	E	L	W	3 or 4	30 (762mm)
	25 (635mm)	22 (559mm)	21 (533mm)	15-3/4 (400mm)	8-1/16 (206 mm)	24-3/8 (619mm)	21-3/8 (543mm)		

*Length is left to right. Width is front to back.



Bowl Depth is E

Hole Drilling Configurations

1-1/2" (38mm) Diameter Faucet Holes on 4" (102mm) Centers

