



# SPECIFICATION SHEET

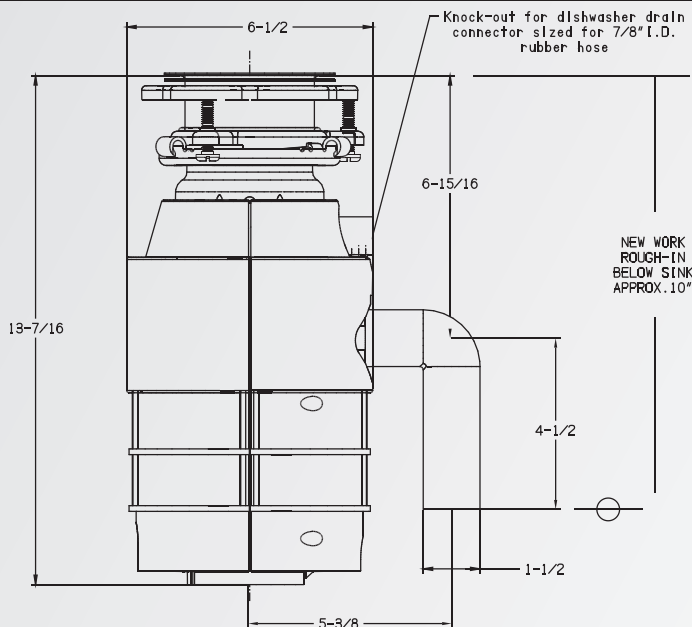
## GLCD10C - 1/3 H.P.

### PROFESSIONAL 3-BOLT MOUNT SYSTEM

### FOOD WASTE DISPOSER

- Space saving compact design.
- High-speed 1900 r.p.m. permanent magnet motor produces more power per pound.
- Corrosion resistant grinding components.
- Longest warranties in the industry demonstrates commitment to quality.
- Safe for properly sized septic tanks.

#### Dimensions



#### Specifications

Motor Horse Power	1/3 H.P.
Motor Speed R.P.M.	1900
Voltage	110-120
Hz	60
Current-Amps	4.0
Motor Type	Permanent Magnet
Sink Flange	Stainless Steel
Stopper	Positive Seal
Splash Guard	Not Removable
Waste Elbow	ABS
Feed	Continuous
Grinding Ring	Heavy Gauge Steel
Swivel Impellers	Stainless Steel
Turntable	Galvanized Steel
Hopper	Glass Filled Nylon
Grinding Chamber	Corrosion Proof Glass Filled Polyester
Bearings	Permanently Lubricated; Sleeve Type
Overload Protector	Manual Reset Type
Shipping Weight (lbs.)	11 Lbs.
Pallet Quantity	75
36" power cord included	

#### Warranty

Any Model GLCD10C less than 2 years old that develops a material or mechanical defect will be replaced in your home free of charge.



**For Questions and/or Services, please call:**  
**1-800-854-3229**

Due to continue product improvement, specifications may change without notice.